

## 5-Slot and 2-Slot Panels Installation Guide



## Disclaimer

Control4® makes no representations or warranties with respect to this publication, and specifically disclaims any express or implied warranties of merchantability or fitness for any particular purpose. Control4 reserves the right to make changes to any and all parts of this publication at any time, without any obligation to notify any person or entity of such changes.

## Trademarks

Control4 and the Control4 logo are registered trademarks of Control4 Corporation. Other product and company names mentioned in this document may be the trademarks or registered trademarks of their respective owners.

## Copyright

Copyright ©2015, Control4 Corporation. All rights reserved. Control4, the Control4 logo, the 4-ball logo, 4Store, 4Sight, Control My Home, Everyday Easy, and Mockupancy are registered trademarks or trademarks of Control4 Corporation in the United States and/or other countries. All other names and brands may be claimed as the property of their respective owners. All specifications subject to change without notice.

Contact Information  
Control4 Corporation  
11734 S. Election Road  
Salt Lake City, UT 84020 USA  
<http://www.control4.com>

Part Number: 200-00236, Rev C  
Control4 5-Slot and 2-Slot Panels Installation Guide  
March 20, 2015

# Contents

- 1 Supported Models**
- 1 Box Contents**
- 1 Specifications**
- 1 Warnings and Considerations**
- 2 Installation Instructions**
- 5 Where to Go Next**
- 5 Regulatory/Safety Compliance**
- 5 Warranty**

# Supported Models

- C4-DIN-5PAN 5-Slot Panel
- C4-DIN-2PAN 2-Slot Panel

# Box Contents

- Front cover (metal)
- Backbox (metal)
- C4-DIN-SF Slot Fillers  
5-Slot Panel (2 packages)  
2-Slot Panel (1 package)
- Warranty card
- *5-Slot and 2-Slot Panels Installation Guide*  
(this document)
- "Risk of Electrical Shock" label

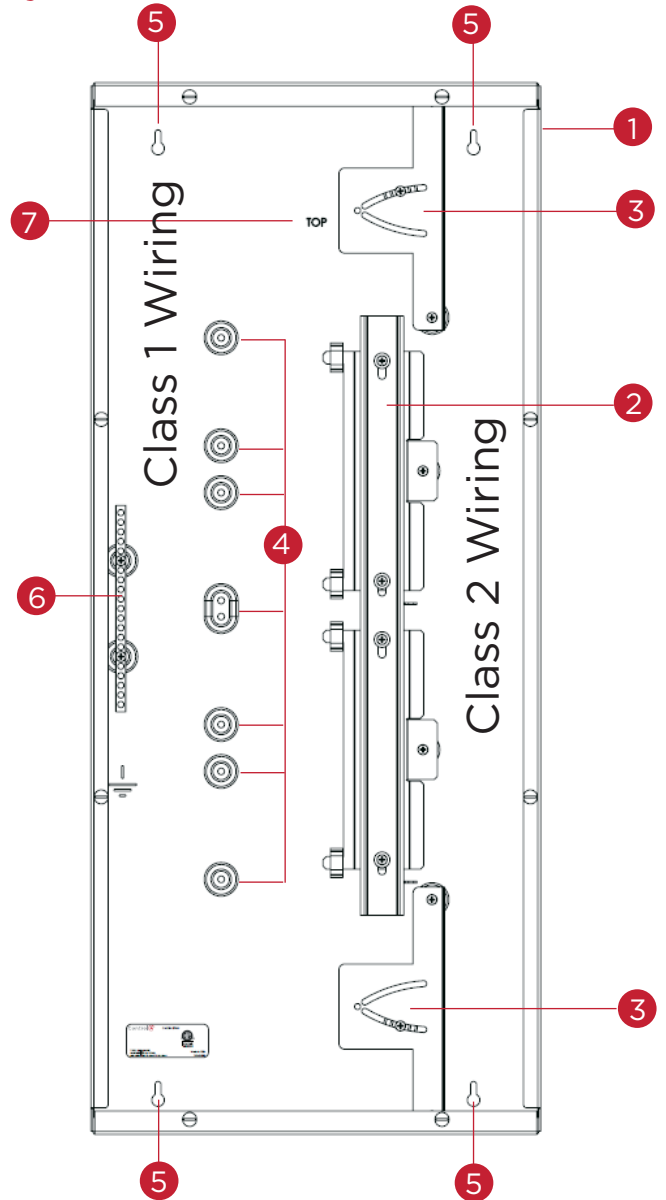
# Specifications

	5-Slot	2-Slot
Backbox Dimensions	63.9" x 14.3" x 3.8" (162.3 cm x 36.2 cm x 9.5 cm)	33.5" x 14.3" x 3.8" (85.1 cm x 36.2 cm x 9.5 cm)
Cover Dimensions (installed)	65.5" x 16" x 0.3" (166.37 cm x 40.64 cm x 0.6 cm)	34.9" x 16" x 0.3" (88.6 cm x 40.64 cm x 0.6 cm)
Weight	49.4 lb (22.4 kg)	27.35 lb (12.4 kg)
Shipping Weight	58.05 lb (26.3 kg)	32.85 lb (14.9 kg)

Figure 1 shows the panel without the cover and location of these items:

- 1 Backbox
- 2 Rail on right side for module installation
- 3 Class 1/2 divider plates
- 4 Terminal block mounting standoffs
- 5 Surface-mount screw keyholes
- 6 Ground bar
- 7 "Top" indicator

Figure 1. Panel Without Cover



# Warnings/Considerations

**! WARNING!** The lighting devices installed with this panel are modular and require installation by a licensed electrician in accordance with all national and local electrical codes.

**! WARNING!** Improper use or installation can cause SERIOUS INJURY, DEATH or LOSS/DAMAGE OF PROPERTY.

**! WARNING!** All devices installed in the panel must be protected by a circuit breaker (20A each).

**! WARNING!** Set all of the supply breakers feeding the panel to the OFF position before wiring the terminal blocks and other devices.

**! CAUTION!** This panel is convection cooled. Install the panel in a location where the vented cover is not blocked. At least 12 inches (30 cm) clearance is required away from the front of the panel. Some local codes may require as much as 36 inches (91.44 cm) clearance.

**! CAUTION!** Install the panel where some noise is acceptable; modules in this panel may hum and make clicking noises when in use.

**! CAUTION!** Only install this panel indoors.

**✓ IMPORTANT!** Using this product in a manner other than outlined in this document voids your warranty. Further, Control4 is NOT liable for any damage incurred with the misuse of this product.

**✓ IMPORTANT!** Changes or modifications not expressly approved by Control4 could void the user's authority to operate the equipment.

## Installation Instructions

- 1 Remove the contents from the box.
- 2 Remove the cover from the backbox
- 3 Mount the backbox.

Install the backbox either using the flush mount or surface mount method described below. When you mount the unit, use screws that can withstand up to 100 pounds (45 kg) weight.

### Flush Mount

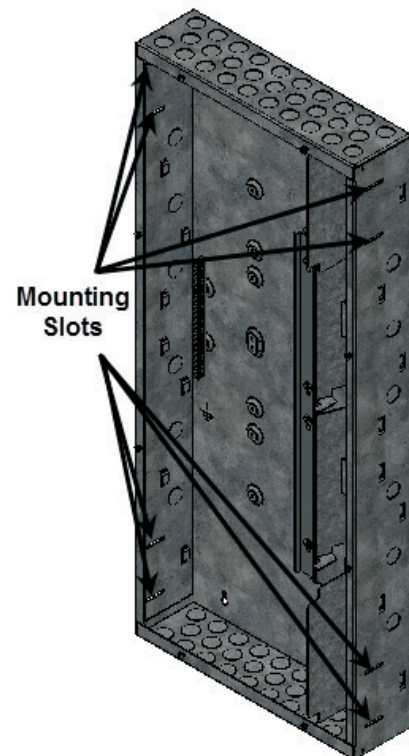
**✎ NOTE:** The panels are designed to mount between 16-inch on-center studs.

To install the panel inside an unfinished wall:

- a Place the metal backbox upright so the mounting rails are on the righthand side and the "Top" indicator is at the top.
- b Lift the backbox to the desired height in the wall, and ensure that the backbox's front edge will be flush with the future finished wall surface.
- c Drill holes and insert screws through the middle of each horizontal slot on the sides of the backbox. Placing the screw at the center of the slot allows for minor front-to-back adjustment to accommodate variation in finished wall thickness.

**✓ IMPORTANT!** The panel is slightly narrower than a 16" on-center stud bay. Do not overtighten the screws. Doing so will cause the panel to bend and prevent the cover from attaching to the backbox.

Figure 2. Flush Mount Backbox Installation



**✎ NOTE:** It may be necessary to remove or reposition the Class 1/Class 2 divider plates temporarily to access all screw slots.

## Surface Mount

To install the panel on an existing wall:

- a Place the metal backbox upright so the mounting rails are on the righthand side and the "Top" indicator is at the top.
- b Lift the backbox to the desired height on the wall, and ensure that it is level.
- c On the wall, mark the mounting keyholes with a pencil. (see Figure 1).



**NOTE:** There are four (4) keyholes on the 2-Slot Panel and six (6) keyholes on the 5-Slot panel.

- d Drill the holes, and insert the screws.
  - e Mount the backbox by sliding the keyholes over the screws, and then tighten the screws securely.
- 4** Mount the terminal blocks to the standoffs on the panel according to their installation instructions and the panel wiring reports from Composer Pro. The slot numbers and positions are indicated in Figures 3 and 4. See the *Terminal Block Installation Guide* and *Composer Pro User Guide* for details.

Figure 3. Small Cabinet Slot Numbers

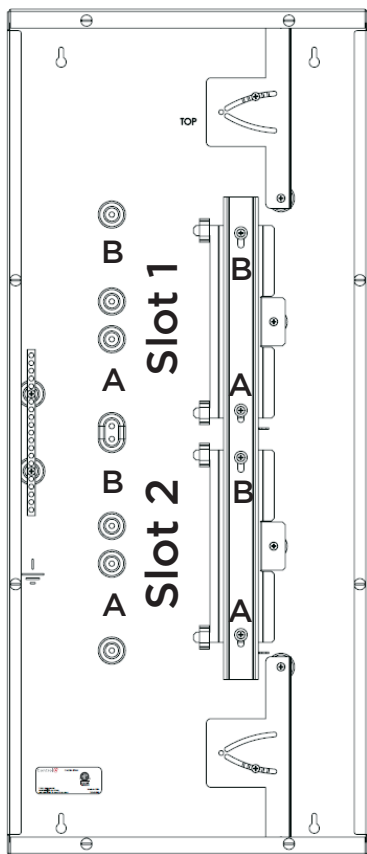
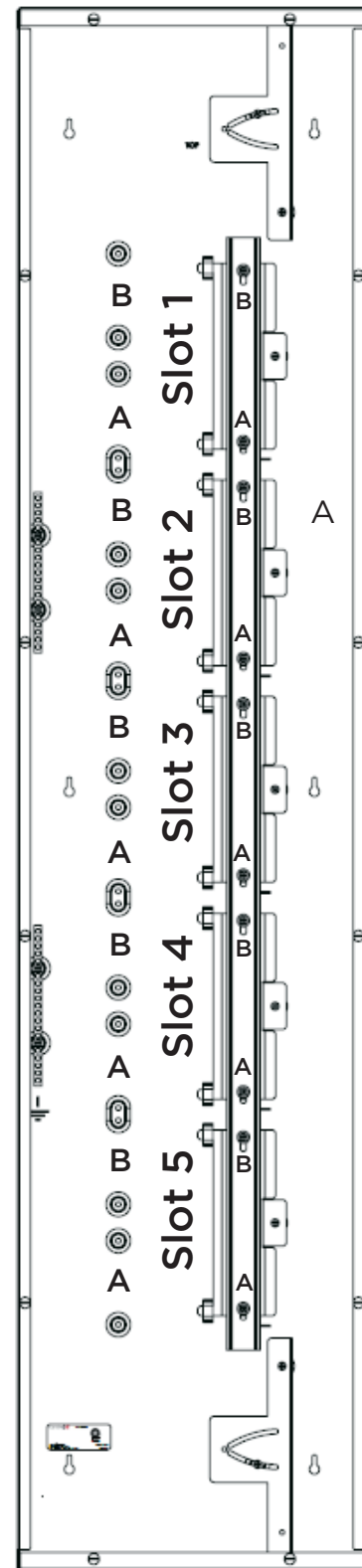


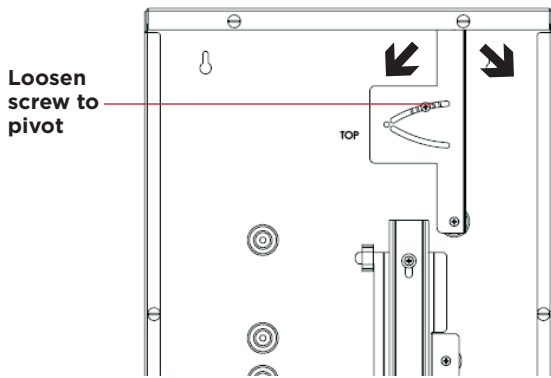
Figure 4. Large Cabinet Slot Numbers



- 5** (Optional) The divider plates located at the top right and bottom right inside the backbox can be swiveled to adjust the space available for Class 1 and Class 2 wires (see Figure 5).

- a Loosen the top screw on the top divider plate or the bottom screw on the bottom divider plate, and rotate the plate to the desired angle.
- b Tighten the screw again.

Figure 5. Divider Plates



- 6 Run the power and load wiring through the knockouts at the top and bottom of the backbox using the appropriate cable clamps. Route the wires along the left side of the terminal blocks. (You will install the modules to the right of the terminal blocks.)

**NOTE:** When flush mounting the cabinet, if the wall will be finished, do not use the front row of knockouts as they will interfere with finished wall installation.

- 7 Install the ground wires to the ground wire bar(s).

**IMPORTANT!** Keep all hot-neutral pairs together, as they must be wired to the same terminal block.

Use no more than two (2) 12 AWG wires per ground bar slot. Tighten the ground bar screws according to the following table:

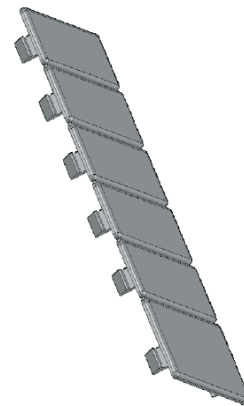
Wire	Torque
Single 12 or 14 AWG	20 in-lb
Two (2) 12 or 14 AWG	25 in-lb

- 8 Connect the Line, Neutral, Load, and Override switch wires to the terminal blocks following the instructions in the *Terminal Block Installation Guide* and the wiring reports in Composer (see the *Composer Pro User Guide* for details).

**IMPORTANT!** Label each wire you install as you wire each terminal block.

- 9 Run the Class 2 wiring into the backbox through the knockouts at the top and bottom of the panel to the right of the divider plate. Route the wires along the right side of the panel.
- 10 (Optional) If necessary, cover the panel with the panel's packaging materials to protect the interior of the panel during drywall, painting, etc.
- 11 Install and wire the Control4 Panelized Lighting modules as needed. See "Additional Information" for details. Again, check the Composer reports (see the *Composer Pro User Guide* for details).
- 12 If required by local electrical code, attach the "Risk of Electrical Shock" label either to the front cover or to a clearly visible spot inside the panel.
- 13 Re-install the cover.
  - a Align the cover so it fits on the backbox and the modules protrude through the slots in the cover.
  - b Screw the cover to the backbox.
- 14 Install the Slot Fillers (included) as needed. Use these inserts to fill in the gaps in the front panel after you install the wiring, terminal blocks, and modules (see Figure 6). If needed, additional inserts can be purchased separately (model #C4-DIN-SF).

Figure 6. Plastic Inserts



- To fill a completely empty slot, use two (2) of the Slot Fillers.
- To fill the remainder of a slot occupied by a partial height module, break off enough sections that you need to fill in the gap.



**NOTE:** The section of the insert that is longer than the rest is designed to overlap the end of the slot.

- 15** To remove the inserts, remove the front cover; from the back of the cover use your finger to pop them out of the cover.

## Where to Go Next

For information about the terminal blocks or supported modules, refer to the documents included with the device or online at [www.control4.com](http://www.control4.com) in the Dealer portal. For links to all of the documents in this product line, see the *Panelized Lighting Quick Start Guide*.

## Regulatory/Safety Compliance

To review regulatory information for your particular Control4 products, see the information located on the Control4 website at: <http://www.control4.com/regulatory/>.

## Warranty

For complete warranty information, including details on consumer legal rights as well as warranty exclusions, review the Warranty card or visit [www.control4.com/warranty](http://www.control4.com/warranty).



Control4.com | 888.400.4070

