

Figure 1. Wiring in Control4 Panel



## 8-Channel Dimmer Wiring Guide

### Supported Model

- C4-DIN-8DIM-E 8-Channel Dimmer

### Diagrams Color Code:

Black		Line
Red		Load
Grey		Neutral
Green		Earth Ground
Blue		Ethernet

### Wiring Diagrams

Use the Control4® 8-Channel Dimmer wiring diagrams along with the *8-Channel Dimmer Installation Guide* to install 8-Channel Dimmers.

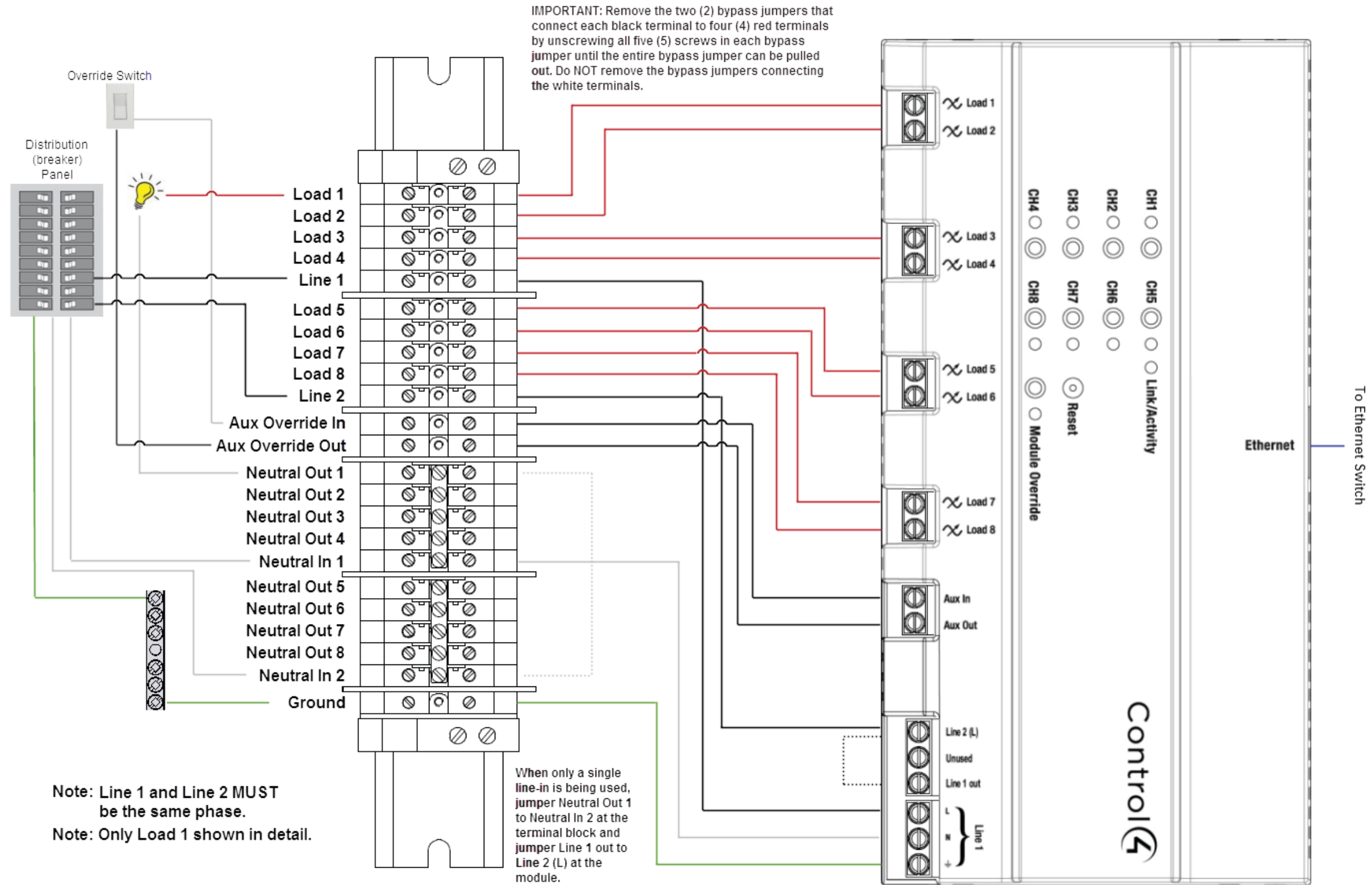
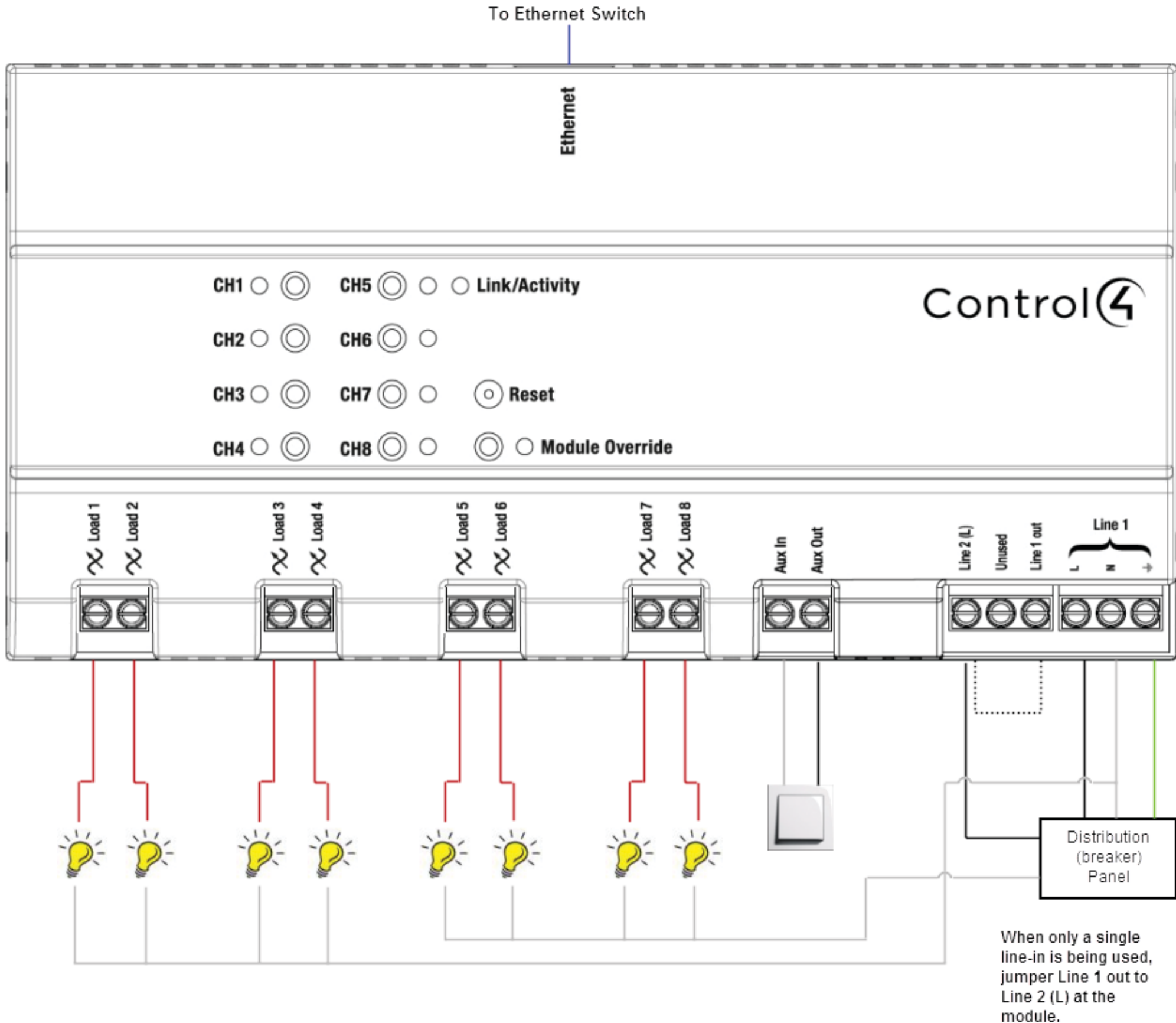


Figure 2. Wiring in Standard DIN Rail Panel



About this Document  
 Part Number: 200-00247, Rev A 1/17/2013