

Figure 1. Wiring in Control4 Panel



## 8-Channel Relay Wiring Guide

### Supported Model

- C4-DIN-8-REL-E 8-Channel Relay

### Diagrams Color Code:

- Black — Line
- Red — Load
- Grey — Neutral
- Green — Earth Ground
- Blue — Ethernet

### Wiring Diagrams

Use these Control4® 8-Channel Relay wiring diagrams along with the *8-Channel Relay Installation Guide* to install 8-Channel Relays.

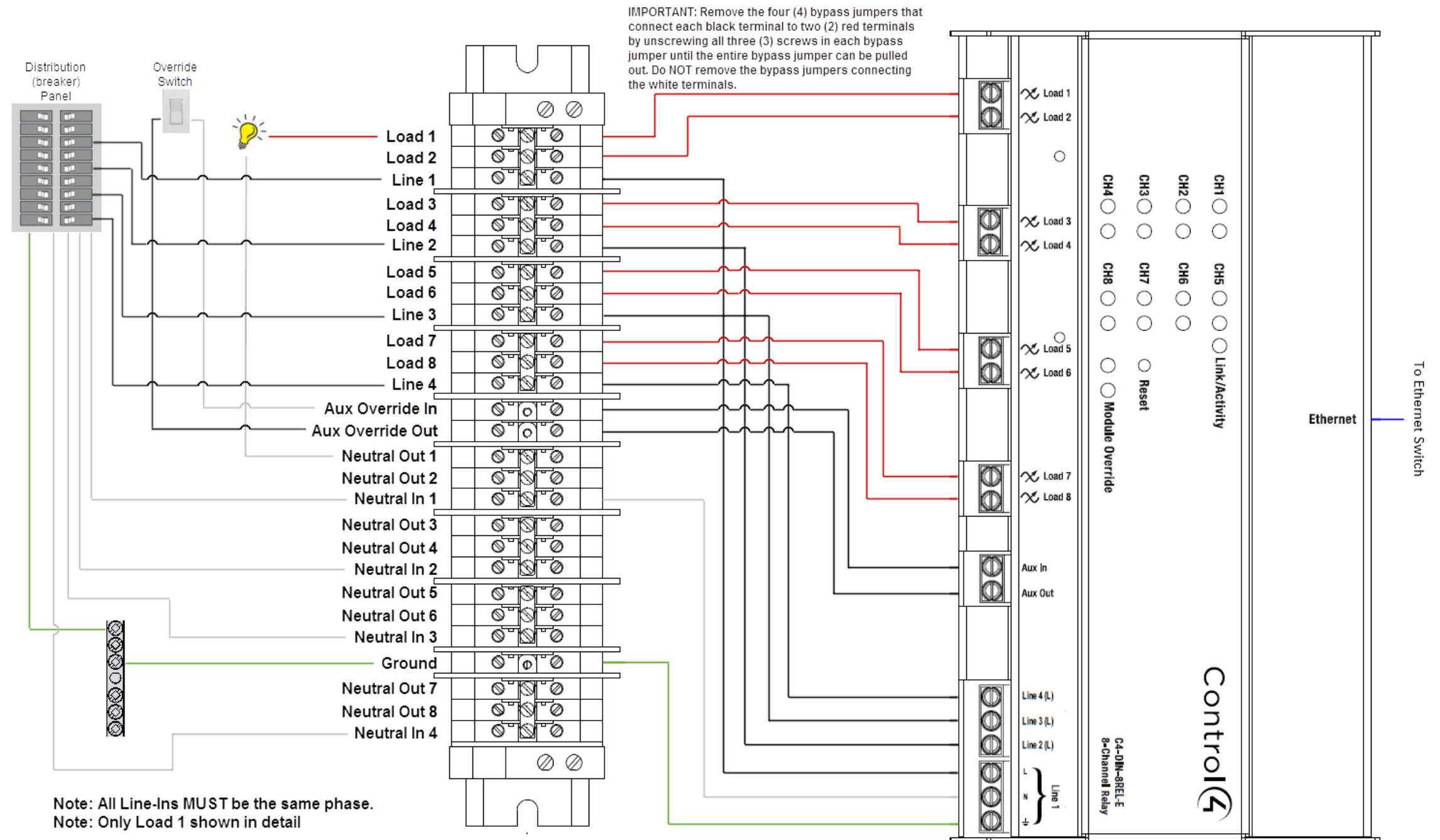
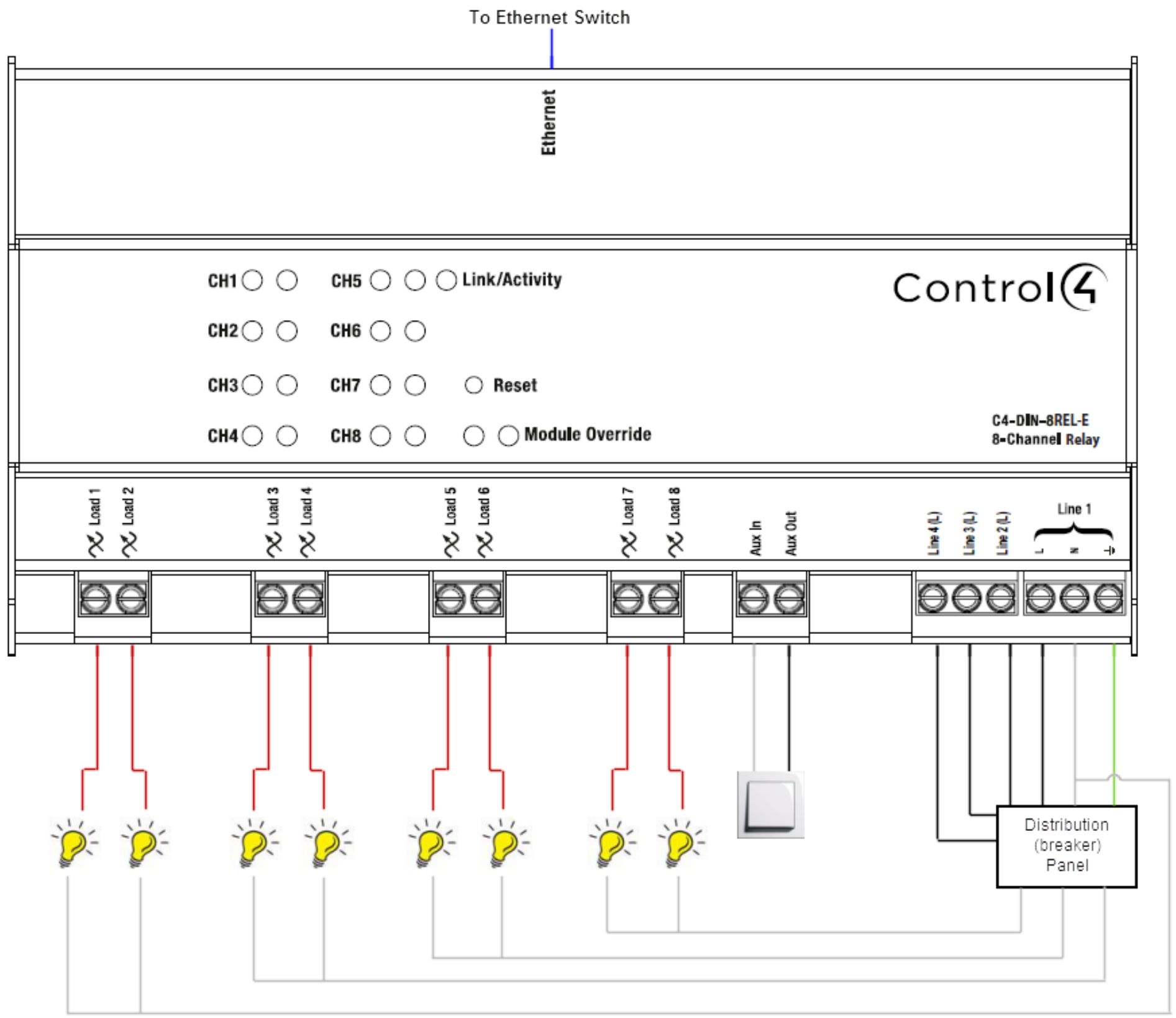


Figure 2. Wiring in Standard DIN Rail Panel



**Note: All Line-Ins MUST be the same phase.**

About this Document  
Part Number: 200-00246 Rev A 09/17/2012